

# Vi-Go

Vertical Arrest System

## The versatile system

Söll Vi-Go is a fall protection system that can be retrofitted onto existing climbing devices such as ladders or rungs used in wind turbines, power supply, telecommunication or other industries.

It is basically made up of a steel rope or cable (three different types), fastening elements and a revolutionary guided-type fall arrester.

Very few system components are readily available in different models or materials. This makes the Vi-Go system especially versatile.

## Standard or flexible

Users can choose between prefabricated or flexible system components. A user can thus cut down on the costs for components by opting for standard installation.

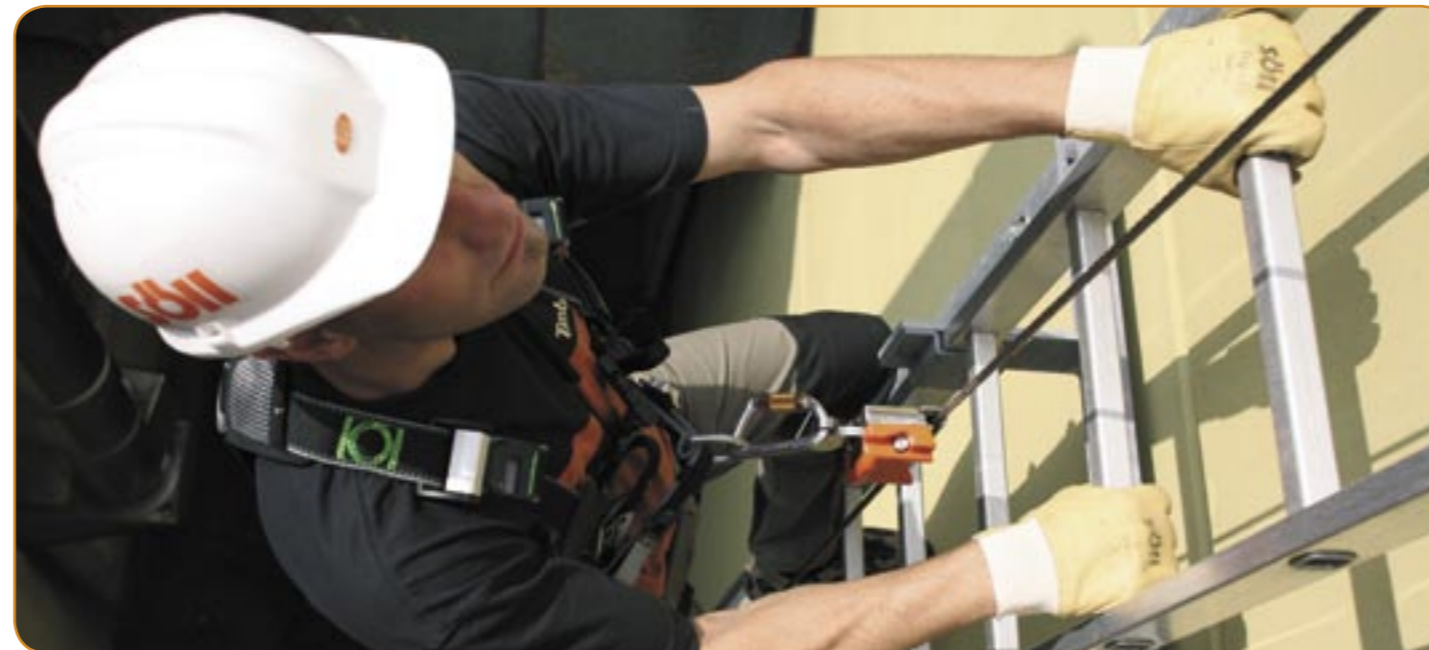
On the other hand, installation costs for complex assemblies can be reduced by using high-quality system components.

## Stainless steel or galvanized steel

Furthermore, the selection of system components made of galvanized or stainless steel can help in cutting costs or adapting the system to severe environmental conditions.



## The new vertical steel cable system with integrated fall protection



### Safety for all users

Each fall arrester is equipped with a cushioning element made of stainless steel which is typically unique to Söll.

**This highly effective, durable absorber reduces the impact force to a minimum on a worker's body in the event of a fall. The value falls considerably below 6 kN which is stipulated in the EN 353-1 standard.**

Since each shuttle is equipped with a cushioning element instead of the cable, the load on the cable fixings is effectively reduced when there are several users.

### Easy handling of the shuttle

**The ergonomic design of the new Vi-Go shuttles distinguishes them from their competitors. Handling them thus becomes very simple.**

The shuttle can be unlocked and fastened to or unfastened from the rope with a single hand.

The dual locking mechanism renders the fall arrester particularly safe.

The spring-activated securing mechanisms always move the device back to its initial position.

### Ease of use

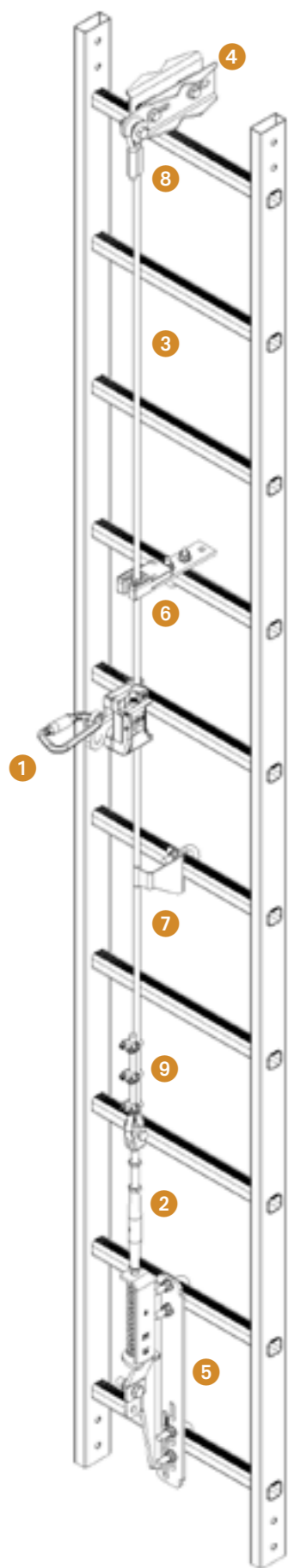
The user wears a full body harness (EN 358 compliant) and fastens the karabiner hook of the Vi-Go shuttle to the fall protection/fall arrest attachment ring of a harness.

The unlock button is pressed with the thumb; the slider can then be opened using fingers. The shuttle can be placed on the rope by lifting the latch slightly.

Users can start climbing or descending once the shuttle has been fixed to the rope.



Vi-Go is a fall protection system that can be retrofitted onto existing climbing devices such as ladders or rungs used in wind turbines for example.



### 1 Guided-type fall arrester

The fall arrester is quick and easy to use because of its absolute single-hand operation. The dual locking mechanism is especially safe and prevents accidental unlocking of the fall arrester from the rope.

Not using a textile shock absorber considerably reduces recurring costs for damaged or old absorbers.

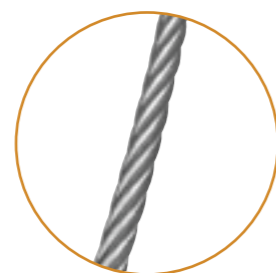
An integrated mechanism prevents incorrect fastening of the shuttle to the rope (head-first).

Made of stainless steel, the shuttle is corrosion-resistant and requires minimum maintenance. It has been designed such that repairing becomes easy and inexpensive.



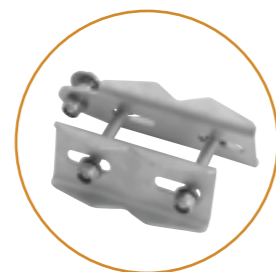
### 2 Cable tensioner

Three functions are integrated in it. It is a: tensioner, tension indicator and expansion compensator. It is easy to install and can compensate the movements of the structure. Available in stainless and galvanized steel.



### 3 Steel cable

Cable 8 mm, 7x19, stainless steel  
Cable 8 mm, 7x19, galvanized  
Cable 10 mm, 7x19, stainless steel  
Cable 10 mm, 7x19, galvanized  
For the North American market:  
Cable 3/8", 7x19, stainless steel  
Cable 3/8", 7x19, galvanized



### 4 Universal clamp

Available in stainless or galvanized steel, serves as cable fixing.

Cable end parts are hung here.

A unique feature of the universal clamp is that it can be fastened to pipe structures of various diameters as well as angular or flat steel profiles depending on the assembly.



### 5 Rung clamp

An alternative to the universal clamp; the rope can directly be fastened to the rungs of a ladder. It is also available in two different materials. Various elongated holes at varying distances from each other make it possible for the rung clamp to be mounted on the most varied of ladders.



### Intermediate brackets

Intermediate brackets hold the rope in position and prevent it from moving excessively because of the wind.



### 6 Manual brackets

In case of manual brackets, the rope must be released from the clamping position before a shuttle passes through it. The rope must be clamped back in the manual brackets before getting off from the system.

Manual brackets are cost-effective, light and can also be retrofitted.



### Cable end parts

There are three alternatives to choose from:



### 8 Cable thimble

A cable thimble is available for 8 & 10 mm steel cables.

Special advantages are the saving of component costs and time during assembly.



### 9 Cable sling

A cable sling can be used for both ends. The rope length is variable.

Available for 8 & 10 mm steel ropes.

In addition to the money it saves, this variant also proves to be extremely flexible during installation.

### Pluggable rope ends

This solution, available for all cable types, is especially sophisticated and quick and yet sufficiently flexible.

It requires minimal time for installation.

**SPERIAN FALL PROTECTION**  
Deutschland GmbH & Co. KG  
Setigenweg 10  
95028 Hof  
Germany  
Tel.: +49/92 81/83 02-0  
Fax: +49/92 81/36 32  
soell@sperianprotection.com  
www.vi-go.eu

**SPERIAN PROTECTION UK LTD**  
Osborn  
Way Hook  
Hampshire RG27 9HX  
United Kingdom  
Tel.: 00 44 (0) 1256 693200  
Fax: 00 44 (0) 1256 693300

**SPERIAN FALL PROTECTION**  
Soll Italian Office  
Via Palestro, 1  
28100 Novara  
Italia  
Telefono: +39 02 38 59 9312  
Faximile: +39 02 94 19 5017

**SPERIAN PROTECTION Sweden AB**  
Strandbadsvägen 15  
252 29 Helsingborg  
Sverige  
Tel: 042-88 100  
Fax: 042-73 973  
Kundtjänst: 042-88 200  
inforondic@sperianprotection.com  
www.fallskyddssystem.se